

# TECHNICAL SHEET 1/3

## FILTRATION PUMP

Ref. : 106454 - EAN13 : 3359191002231  
 Ref. : 106455 - EAN13 : 3359191002248  
 Ref. : 106456 - EAN13 : 3359191002255



- The 1/4 turn cover allows a quick access to the prefilter basket for a fast cleaning in a few seconds.
- Thanks to the transparent lid, you can immediately visualize the prefilter filling and clean it only if necessary.
- Quieter thanks to the silent block of the engine and the supporting pads.
- The purging screw permits to empty the body of the pump and to protect it during wintering.
- The support includes 4 drillings to ensure the perfect clamping of the pump and to limit the noises generated by the vibrations.



- The molded plug on 1.5 meters long cable allows an immediate start-up on a 230V socket.



- The screwed lid allows an optimum operation of the cooling ventilator.
- The pump body is strengthened with a 30% of fiberglass for more resistance.
- The level protection IP55 ensures the water projections resistance and permits an outdoor use of the pump.



- The glueable Ø 50 connection (Ø 38 on 3/4 model) permits the use of the flexible pipes of Ø 38 and the rigids or flexibles ones in Ø 50.

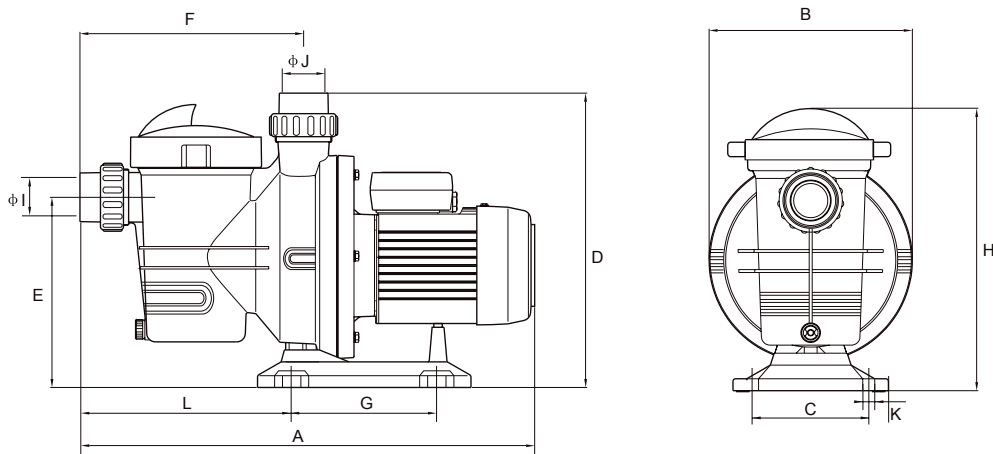


- The removable integrated prefilter retains impurities and allows effective prefiltration.

# TECHNICAL SHEET 2/3

## FILTRATION PUMP

### PRODUCT DIMENSIONS



DIMENSIONS	A	B	C	D	E	F	G	H	I	J	K	L	kg
106454	550	238	160	345	225	262	170	330	Ø38/Ø50	Ø38/Ø50	4 - Ø10	205	8.7
106455	550	238	160	345	225	262	170	330	Ø50	Ø50	4 - Ø10	205	9.3
106456	550	238	160	345	225	262	170	330	Ø50	Ø50	4 - Ø10	205	10.4

### PACKAGE CONTENT

1 pump with molded plug + 1 removable prefilter basket

### TECHNICAL FEATURES

	106454	106455	106456
• Model	3/4	1	1.5
• For pools up to	90 m <sup>3</sup>	130 m <sup>3</sup>	170 m <sup>3</sup>
• Max flow m <sup>3</sup> /h	12.9	15.9	17.4
• Max height mCE	12.5	15.2	17.0
• Power	PI : 680 W P2 : 370 W	PI : 950 W P2 : 550 W	PI : 1150 W P2 : 750 W
• Engine	Asynchronous engine 2 poles, F class, direct current		
• Power supply	Single phase 230 VAC molded plug, thermal protection integrated		
• Type	Centrifugal		
• Filter lid	1/4 round/Polycarbonate		
• In / Out connections	Ø 38/Ø 50	Ø 50	Ø 50
• Draining	Yes, in the lower part of the prefilter		
• Protection indicator	IP55		
• Body	Polypropylene loaded with 30% of fiberglass		
• Support	Aluminium		
• Turbine	Polypropylene		
• Mechanical seal	Graphite		
• Unit package dimensions (mm)	590 x 275 x 375		

### PROFESSIONAL ADVICE

- Install the pump at 3.5 meters from the edge of the pool.
- Protect the pump with a 30 mA differential device.
- Maintain the water level at 2/3 of the skimmers height.
- Dismantle and store the pump dry during wintering.
- Do not operate the pump without water.
- Empty the prefilter regularly.

### ADDITIONNAL PRODUCTS

Protection and control electric box (Ref. 106050) / Filter (Ref. FSNT)

# TECHNICAL SHEET 3/3

## FILTRATION PUMP



SPARE PARTS				
MARK	REF.	EAN13	DESIGNATION	
01	106547	3660231397699	Nut clamping (lid)	
02	106551	3660231397712	Transparent lid	
03	106552	3660231397729	lid seal	
04	106553	3660231397736	Basket	
05				
06				
07				
08	106554	3660231397743	2 union fittings Ø50	
09				
10				
05				
06				
07				
08	106565	3660231397866	2 union fittings Ø38	
09				
10				
	106564	3660231397842	Pump turbine 106456	
11	106563	3660231397835	Pump turbine 106455	
	106562	3660231397828	Pump turbine 106454	
12	106555	3660231397750	Mechanical seal	
13	106558	3660231397781	Pump flask 106454 455 456	
14	106557	3660231397774	Cap + seal drain 106454 4	
15	106556	3660231397767	Pump support 106454 455 456	
	106559	3660231397798	Capacitor 12mcf pump 106454	
Not present	106560	3660231397804	Capacitor 16mcf pump 106455	
	106561	3660231397811	Capacitor 20mcf pump 106456	

FT\_106454\_3359191002231\_indA\_0618\_GB

FT\_106455\_3359191002248\_indA\_0618\_GB

FT\_106456\_3359191002255\_indA\_0618\_GB

We reserve the right to modify our products' technical features without prior notice.

Documents and pictures are not contractual.

Plus d'infos

More information



Mehr Infos